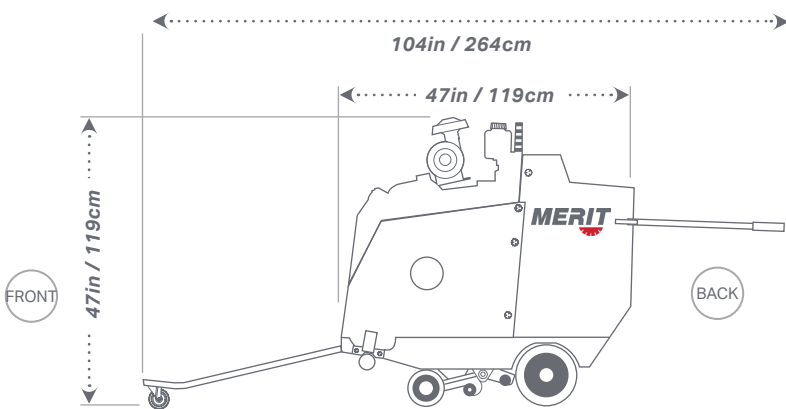


# MERIT

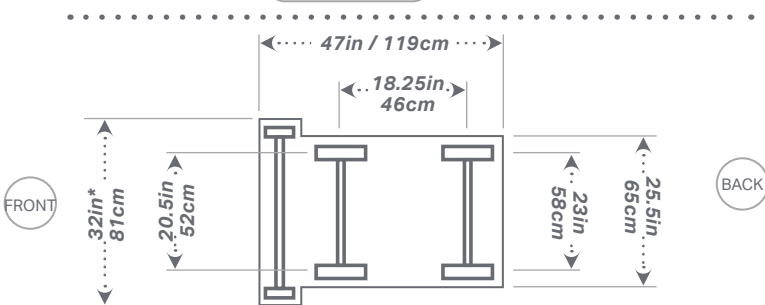
AN **ICS** BRAND



## M400-30E - ELECTRIC POWER

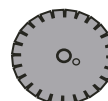


LEFT SIDE VIEW



BOTTOM VIEW

\*32in / 82cm Standard  
 30.5in / 77.5cm QD w/components  
 28.375in / 72cm QD (Flush) w/components



14in - 36in  
 35cm - 91cm

16in/41cm Max Cut



SPECIFICATIONS

<b>Raise &amp; Lower Control</b>	Button or standard
<b>Air Filter</b>	N/A
<b>Blade Mounting</b>	Left and right
<b>Blade Shaft Drive</b>	1in / 2.5cm with 4in / 10cm arbors
<b>Approx. Weight</b>	1100lbs. / 499kg.
<b>Drive Speed</b>	0-240 FPM
<b>Depth Control</b>	Mechanical
<b>Arbor Size</b>	1in / 2.5cm
<b>Engine Manufacturer</b>	Baldor
<b>Voltage</b>	480V 3-phase

BLADE GUARD IN	BLADE GUARD CM
14 x 2	35.5 x 5
18 x 2	46 x 5
20 x 2	50 x 5
24 x 2	61 x 5
26 x 2	66 x 5
30 x 3	76 x 7
36 x 3	91 x 7

### 400 SERIES - 30HP - ELECTRIC - FRONT PIVOT - 4 SPEED

M400-30E-F4-2210	M400, 30HP, ELECTRIC, FRONT PIVOT, 4 SPEED, BUTTON CONTROL, QUICK DISCONNECT BLADE MOUNT, LIGHT KIT
------------------	---

### 400 SERIES - 30HP - ELECTRIC - REAR PIVOT - 4 SPEED

M400-30E-R4-1110	M400, 30HP, ELECTRIC, REAR PIVOT, 4 SPEED, STANDARD CONTROL, STANDARD BLADE MOUNT, LIGHT KIT
------------------	--



Diamond Tools and Equipment

ICSDIAMONDTOOLS.COM | 800.321.1240

Effective January 1, 2024 | Copyright 2024 ICS, Oregon Tool Inc. Pricing, product offerings and specifications are subject to change without notice. All rights reserved. WallWalker, SpeedHook, SealPRO, FORCE4, FORCE3 and PowerGrit are registered trademarks of ICS. The best way to cut concrete, DCT, TSS, and ProFORCE are trademarks of ICS. Rev: 010124

