

# MERIT

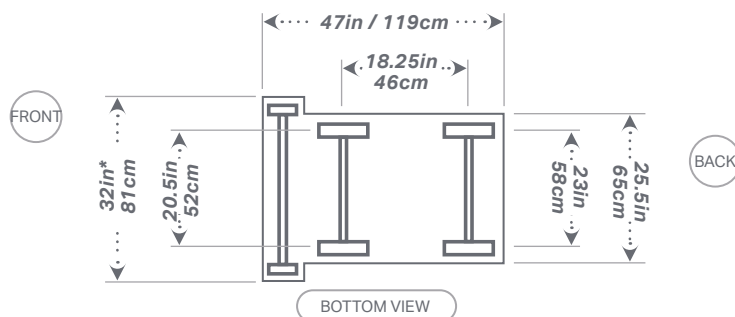
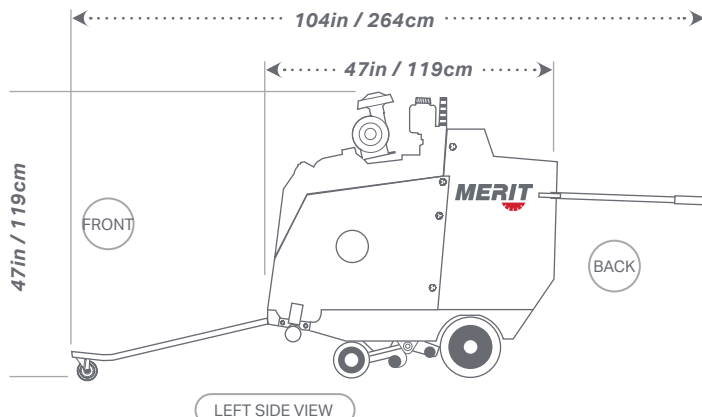
AN **ICS** BRAND



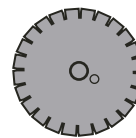
PRODUCT DATASHEET

MERIT

## M400 -50G - GAS POWER - 4 SPEED



\*32in / 82cm Standard  
30.5in / 77.5cm QD w/components  
28.375in / 72cm QD (Flush) w/components



14in - 36in  
35cm - 91cm

16in/41cm Max Cut



SPECIFICATIONS

<b>Raise &amp; Lower Control</b>	Button or standard
<b>Air Filter</b>	2 stage
<b>Blade Mounting</b>	Left and right
<b>Blade Shaft Drive</b>	1in / 2.5cm with 4in / 10cm arbors
<b>Approx. Weight</b>	1200lbs. / 544kg.
<b>Drive Speed</b>	0-240 FPM
<b>Depth Control</b>	Mechanical
<b>Arbor Size</b>	1in / 2.5cm
<b>Engine Manufacturer</b>	Kubota
<b>Fuel Capacity</b>	6.5 gallons / 25L

BLADE GUARD, IN	BLADE GUARD, CM
14 x 2	35.5 x 5
18 x 2	46 x 5
20 x 2	50 x 5
24 x 2	61 x 5
26 x 2	66 x 5
30 x 3	76 x 7
32 x 3	81 x 7
36 x 3	91 x 7

### 400 SERIES - 50HP - GAS - FRONT PIVOT - 4 SPEED

M400-50G-F4-1110	M400, 50HP, GAS, FRONT PIVOT, 4 SPEED, STANDARD CONTROL, STANDARD BLADE MOUNT, LIGHT KIT
M400-50G-F4-2110	M400, 50HP, GAS, FRONT PIVOT, 4 SPEED, BUTTON CONTROL, STANDARD BLADE MOUNT, LIGHT KIT
M400-50G-F4-1210	M400, 50HP, GAS, FRONT PIVOT, 4 SPEED, STANDARD CONTROL, QUICK DISCONNECT BLADE MOUNT, LIGHT KIT
M400-50G-F4-2210	M400, 50HP, GAS, FRONT PIVOT, 4 SPEED, BUTTON CONTROL, QUICK DISCONNECT BLADE MOUNT, LIGHT KIT

### 400 SERIES - 50HP - GAS - REAR PIVOT - 4 SPEED

M400-50G-R4-1110	M400, 50HP, GAS, REAR PIVOT, 4 SPEED, STANDARD CONTROL, STANDARD BLADE MOUNT, LIGHT KIT
M400-50G-R4-2110	M400, 50HP, GAS, REAR PIVOT, 4 SPEED, BUTTON CONTROL, STANDARD BLADE MOUNT, LIGHT KIT
M400-50G-R4-1210	M400, 50HP, GAS, REAR PIVOT, 4 SPEED, STANDARD CONTROL, QUICK DISCONNECT BLADE MOUNT, LIGHT KIT
M400-50G-R4-2210	M400, 50HP, GAS, REAR PIVOT, 4 SPEED, BUTTON CONTROL, QUICK DISCONNECT BLADE MOUNT, LIGHT KIT

[ICSDIAMONDTOOLS.COM](http://ICSDIAMONDTOOLS.COM) | 800.321.1240

Effective January 1, 2024 | Copyright 2024 ICS, Oregon Tool Inc. Pricing, product offerings and specifications are subject to change without notice. All rights reserved.  
WallWalker, SpeedHook, SealPRO, FORCE4, FORCE3 and PowerGrit are registered trademarks of ICS. The best way to cut concrete, DCT, TSS, and ProFORCE are trademarks of ICS.  
Rev: 010124