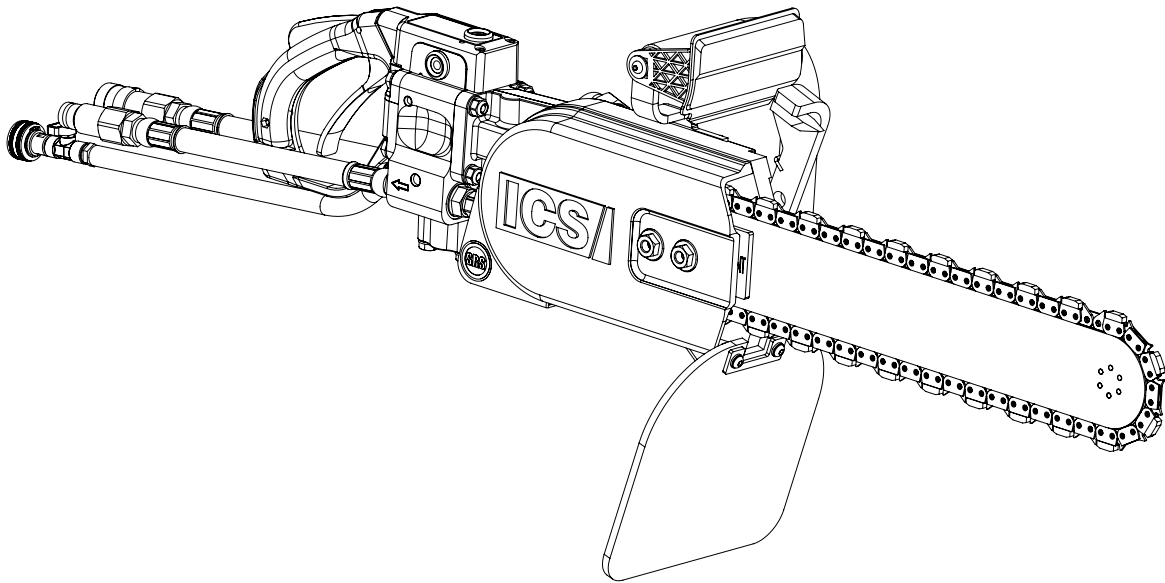




# Replacement Parts & Accessories



## 880/890 Series Gas Concrete Saw

# TABLE OF CONTENTS

## 880/890 Series Hydraulic Concrete Saw

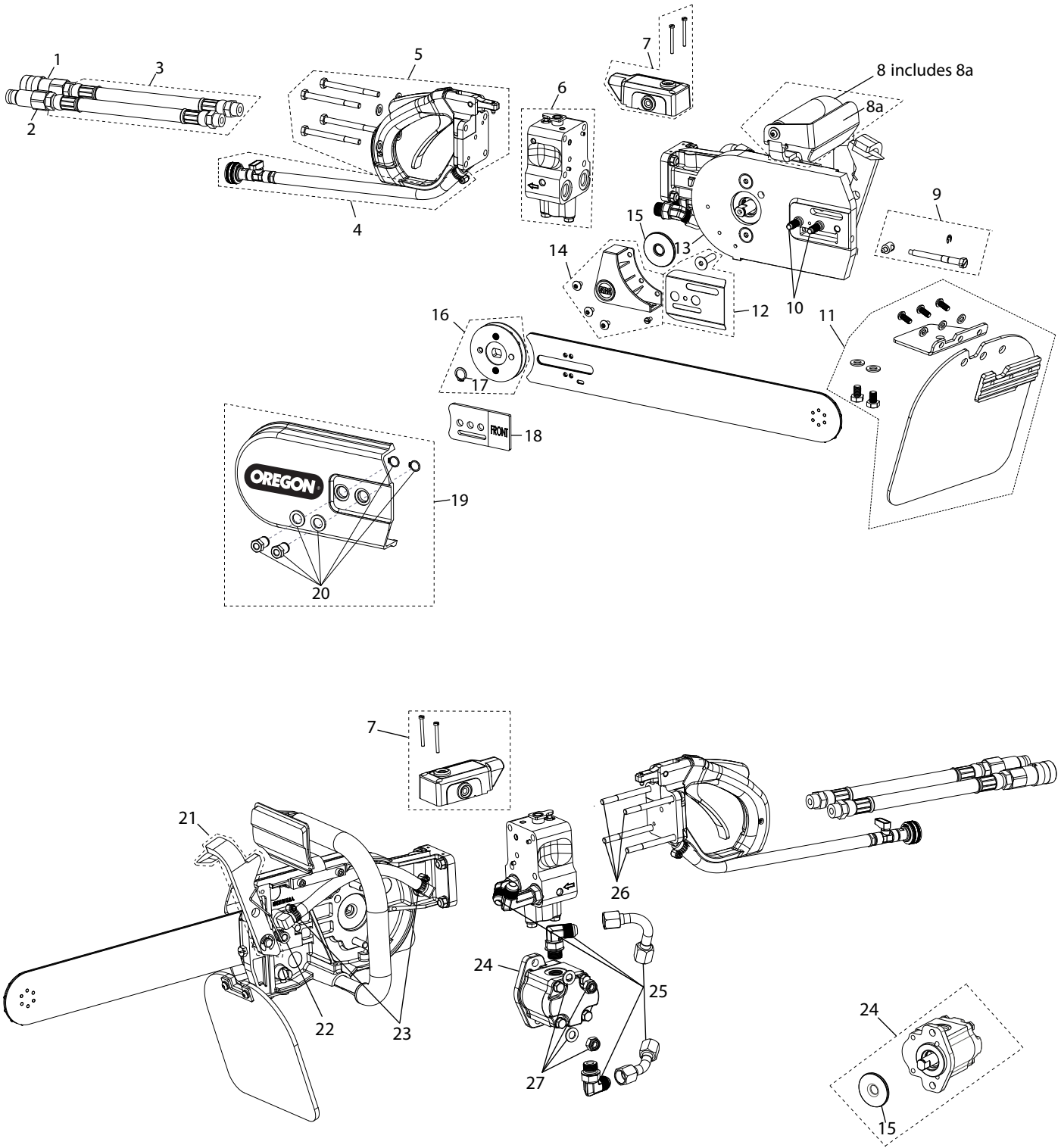
ITEM DESCRIPTION	PAGE
880/890 Series Hydraulic Saw Service Parts & Kits	2
880/890 Series Hydraulic Saw Assembly	3 - 4

# SERVICE PARTS & KITS

## 880/890 Series Hydraulic Concrete Saw

Part No.	Description
70619	880/890 Series Tensioning Scrench, Hydraulic Saws
71526	880/890 Series Hydraulic Valve Spool Kit
72296	880/890 Series Hydraulic Valve Seal Kit
72347	880/890 Series Hydraulic Trigger Lock-Out Spring & Pin Kit
506026	880/890 Series Hydraulic Trigger & Lock-Out Kit
507407	880/890 Series Hydraulic Front Handle Fastener Kit
518869	880/890 Series Hydraulic Water Valve Kit, includes clip, plunger, spring, ball & water bridge spindle
528594	880/890 Series Motor Seal Kit
540291	880/890 Series Side Cover Gasket
72342	880/890 Series Hydraulic Motor Bolt Kit
72344	880/890 Series Valve Bolt Kit
566059	880/890 Series Water Shut-off Valve Kit

880/890 SERIES • SAW ASSEMBLY • EXPLODED VIEW



**Effective January 1, 2024** | Copyright 2024 ICS, Oregon Tool Inc. Pricing, product offerings and specifications are subject to change without notice. All rights reserved. WallWalker, SpeedHook, SealPRO, FORCE4, FORCE3 and PowerGrit are registered trademarks of ICS. The best way to cut concrete, DCT, TSS, and ProFORCE are trademarks of ICS. Rev: 010124

Key #	Part No.	Description
1	71916	880/890 Series QD, Female, with O-Ring, Kit (hose not included)
2	71917	QD Male with O-Ring (hose not included)
3	70629	880/890 Series Hydraulic Pigtail Kit 1' hoses (set of 2 hoses, QD's included)
3	566556	880/890 Series Hydraulic Hose Whip 8' (one hose only, does not include Quick Disconnects) Not shown
4	566059	880/890 Series Water Shut-off Valve Kit
5	565316	880/890 Series Rear-Handle Replacement Kit
6	528553	880/890 Series Hydraulic Valve Replacement
7	565317	880/890 Series Valve Cover Kit with levels, Black
8	71153	880/890 Series Front Handle Kit (includes 8a) - 8gpm (30 lpm)
8a	74586	880/890 Series Front Hand guard Kit - 8 gpm (30 lpm)
8	71536	880/890 Series Front Handle Kit (includes 8a) - 12gpm (45 lpm)
8a	517874	880/890 Series Front Hand guard Kit - 12 gpm (45 lpm)
9	70636	880/890 Series Tensioner Kit
10	72349	880/890 Series Series Bar Mounting Studs
11	576336	880/890 Series Series Mud Flap Assembly
12	70627	880/890 Series Bar Mount Cover Plate
13	528562	880/890 Series Main Frame
14	512592	Baffle Drain Replacement Kit
15	528563	880/890 Series External Shaft Seal Kit
16	565065	880/890 Series Drive Sprocket (includes snap ring)
17	549796	880/890 Series Snap Ring Kt
18	70628	880/890 Series Bar Retaining Plate
19	528564	880/890 Series Side Cover Replacement Kit
20	70639	880/890 Series Cover Retaining Nuts (set of 2)
21	70641	880/890 Series WallWalker Replacement Kit
22	70640	880/890 Series WallWalker Spring
23	72346	Front Water Hose Kit
24	564962	880/890 Series Hydraulic Motor Replacement Kit - 8 gpm (30 lpm)
24	564983	880/890 Series Hydraulic Motor Replacement Kit - 12 gpm (45 lpm)
25	532400	880/890 Series Hydraulic Plumbing Replacement Kit
26	72344	880/890 Series Valve Bolt Kit
27	72342	880/890 Series Motor bolt kit (x2)

## **890F4 Replacement Parts & Accessories**

**ICS Diamond Tools and Equipment, Oregon Tool  
4909 SE International Way  
Portland, OR 97222**

**P: 800.321.1240  
E: [icsdiamondtools.com](http://icsdiamondtools.com)**