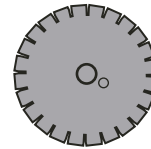
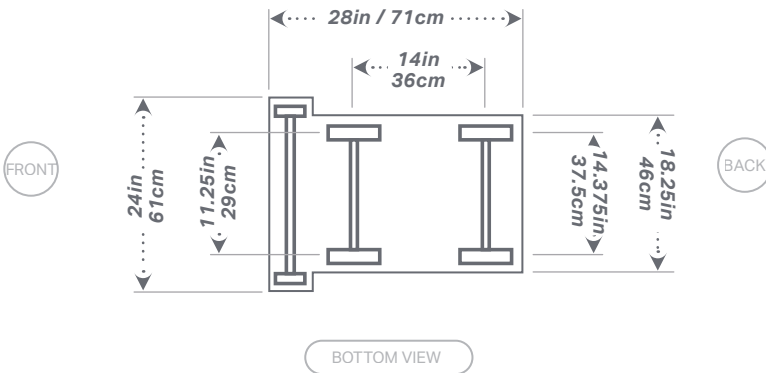
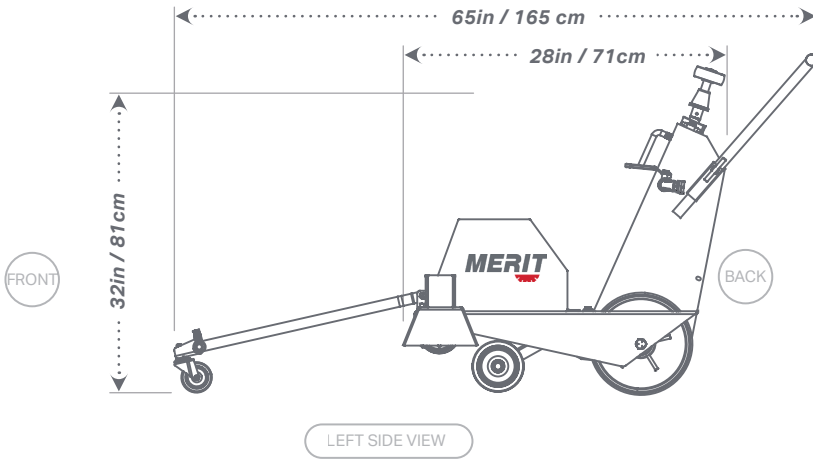




M100W-10E - ELECTRIC POWER

PRODUCT DATASHEET

MERIT



14in - 24in
35cm - 61cm

10in/25cm Max Cut



SPECIFICATIONS

Raise & Lower Control	Manual
Air Filter	N/A
Blade Mounting	Left and right
Blade Shaft Drive	1in / 2.5cm with 4in / 10cm arbors
Approx. Weight	336lbs. / 152kg.
Drive Speed	Push
Depth Control	Manual
Spindle Size	1.25in / 3cm with tapered roller bearings
Arbor Size	1in / 2.5cm
Engine Manufacturer	Baldor
Voltage	480V 3-phase

BLADE GUARD IN	BLADE GUARD CM
14 x 2	35.5 x 5
18 x 2	46 x 5
20 x 2	50 x 5
24 x 2	61 x 5

Part Number	Description
M100W-10E-P	M100W, 10HP, ELECTRIC, PUSH FLAT SAW



OREGONCONSTRUCTION.COM | 800.321.1240