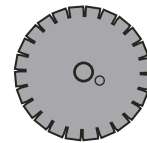
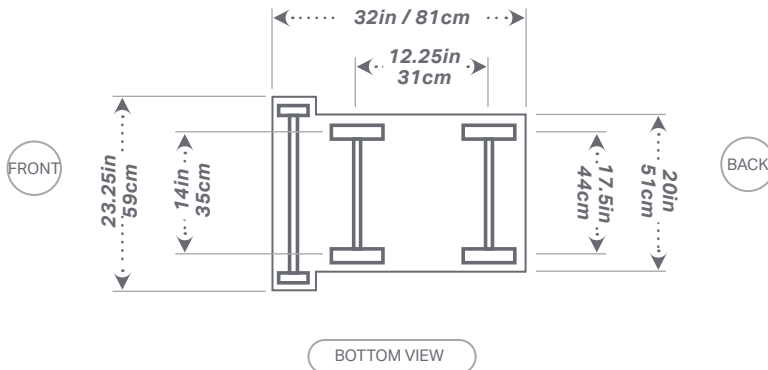
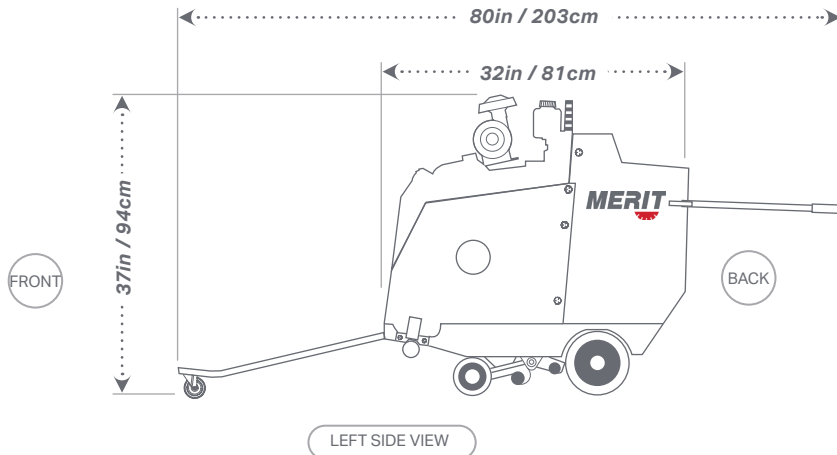


M250-30H - HYDRAULIC POWER



14in- 24in
35cm - 61cm

10in/25cm Max Cut



SPECIFICATIONS

| | |
|----------------------------------|---|
| Raise & Lower Control | Manual |
| Air Filter | N/A |
| Blade Mounting | Left and right |
| Blade Shaft Drive | 1in / 2.5cm with 4in / 10cm arbors |
| Approx. Weight | 480lbs. / 218kg. |
| Drive Speed | 0-200 FPM |
| Depth Control | Manual |
| Spindle Size | 1.25in / 3cm with tapered roller bearings |
| Arbor Size | 1in / 2.5cm |
| Engine Manufacturer | Cross |
| Fuel Capacity | N/A |
| Hydraulic Flow | 28gpm / 106lpm |
| PSI | 2500psi / 172bar |

| BLADE GUARD IN | BLADE GUARD CM |
|-------------------|-------------------|
| 14 x 2 | 35.5 x 5 |
| 18 x 2 | 46 x 5 |
| 20 x 2 | 50 x 5 |
| 24 x 2 | 61 x 5 |

| Part Number | Description |
|-------------|--|
| M250-30H-SP | M250, 30HP, HYDRAULIC, SELF-PROPELLED FLAT SAW |



OREGONCONSTRUCTION.COM | 800.321.1240