

MERIT

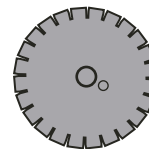
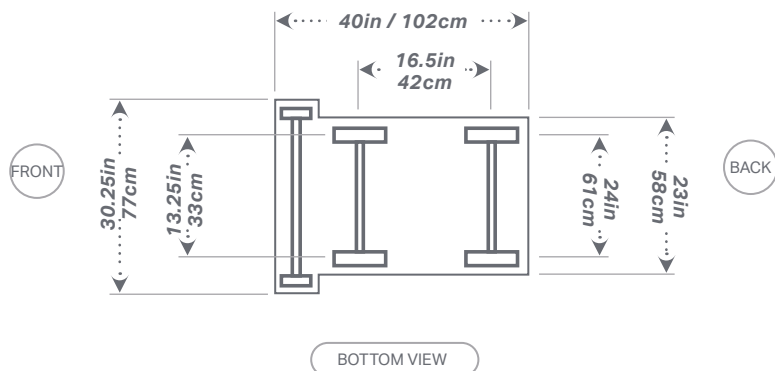
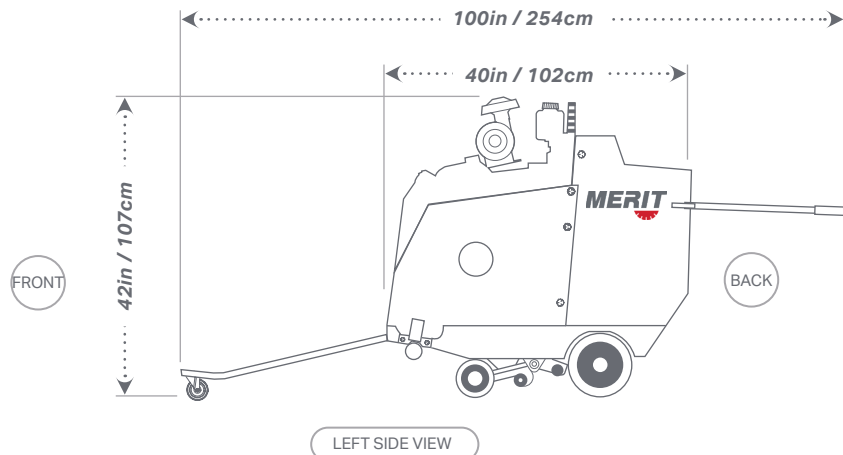
AN OREGON BRAND



M350-20E-R4 ELECTRIC POWER

PRODUCT DATASHEET

MERIT



14in - 30in
35cm - 76cm

13in/33cm Max Cut



SPECIFICATIONS

Raise & Lower Control	Standard
Air Filter	Heavy duty
Blade Mounting	Left and right
Blade Shaft Drive	1in / 2.5cm with 4in / 10cm arbors
Approx. Weight	950lbs. / 431kg.
Drive Speed	0-200 FPM
Depth Control	Mechanical
Arbor Size	1in / 2.5cm
Engine Manufacturer	Kohler
Fuel Capacity	5 gallons / 19L

BLADE GUARD IN	BLADE GUARD CM
14 x 2	35.5 x 5
18 x 2	46 x 5
20 x 2	50 x 5
24 x 2	61 x 5
26 x 2	66 x 5
30 x 3	76 x 7

Part Number	Description
M350-38G-R4-1110	M350, 38HP, GAS, REAR PIVOT, 4 SPEED, STANDARD CONTROL, STANDARD BLADE MOUNT, LIGHT KIT



OREGONCONSTRUCTION.COM | 800.321.1240