

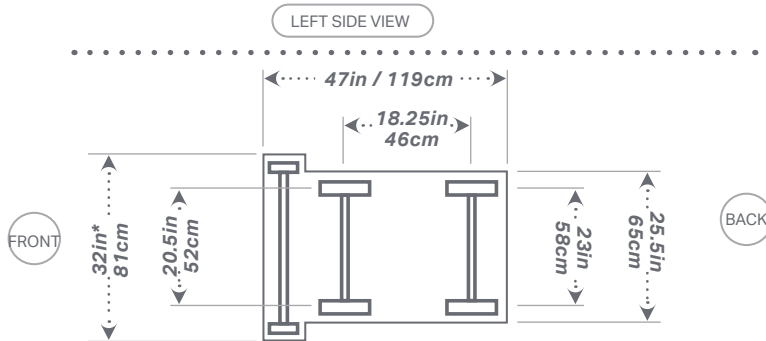
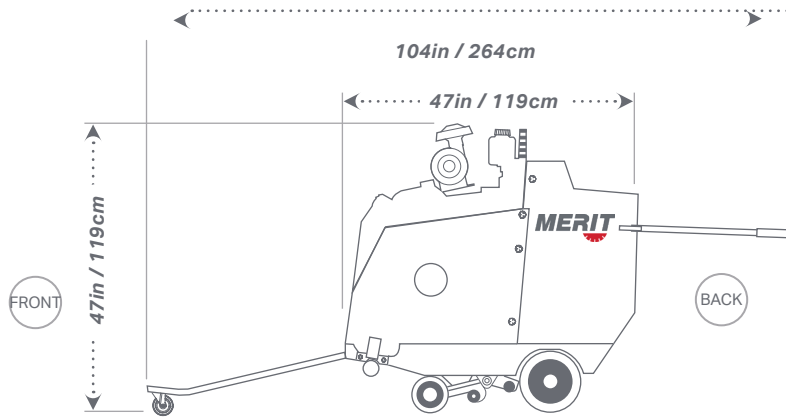
MERIT

AN OREGON BRAND

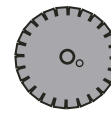
M400-30E - ELECTRIC POWER

PRODUCT DATASHEET

MERIT



*32in / 82cm Standard
30.5in / 77.5cm QD w/components
28.375in / 72cm QD (Flush) w/components



14in - 36in
35cm - 91cm

16in/41cm Max Cut



SPECIFICATIONS

Raise & Lower Control	Button or standard
Air Filter	N/A
Blade Mounting	Left and right
Blade Shaft Drive	1in / 2.5cm with 4in / 10cm arbors
Approx. Weight	1100lbs. / 499kg.
Drive Speed	0-240 FPM
Depth Control	Mechanical
Arbor Size	1in / 2.5cm
Engine Manufacturer	Baldor
Voltage	480V 3-phase

BLADE GUARD IN	BLADE GUARD CM
14 x 2	35.5 x 5
18 x 2	46 x 5
20 x 2	50 x 5
24 x 2	61 x 5
26 x 2	66 x 5
30 x 3	76 x 7
32 x 3	81 x 7
36 x 3	91 x 7

400 SERIES - 30HP - ELECTRIC - FRONT PIVOT - 4 SPEED

M400-30E-F4-1110	M400, 30HP, ELECTRIC, FRONT PIVOT, 4 SPEED, STANDARD CONTROL, STANDARD BLADE MOUNT, LIGHT KIT
M400-30E-F4-2110	M400, 30HP, ELECTRIC, FRONT PIVOT, 4 SPEED, BUTTON CONTROL, STANDARD BLADE MOUNT, LIGHT KIT
M400-30E-F4-1210	M400, 30HP, ELECTRIC, FRONT PIVOT, 4 SPEED, STANDARD CONTROL, QUICK DISCONNECT BLADE MOUNT, LIGHT KIT
M400-30E-F4-2210	M400, 30HP, ELECTRIC, FRONT PIVOT, 4 SPEED, BUTTON CONTROL, QUICK DISCONNECT BLADE MOUNT, LIGHT KIT

400 SERIES - 30HP - ELECTRIC - REAR PIVOT - 4 SPEED

M400-30E-R4-1110	M400, 30HP, ELECTRIC, REAR PIVOT, 4 SPEED, STANDARD CONTROL, STANDARD BLADE MOUNT, LIGHT KIT
M400-30E-R4-2110	M400, 30HP, ELECTRIC, REAR PIVOT, 4 SPEED, BUTTON CONTROL, STANDARD BLADE MOUNT, LIGHT KIT
M400-30E-R4-1210	M400, 30HP, ELECTRIC, REAR PIVOT, 4 SPEED, STANDARD CONTROL, QUICK DISCONNECT BLADE MOUNT, LIGHT KIT
M400-30E-R4-2210	M400, 30HP, ELECTRIC, REAR PIVOT, 4 SPEED, BUTTON CONTROL, QUICK DISCONNECT BLADE MOUNT, LIGHT KIT

OREGONCONSTRUCTION.COM | 800.321.1240

Effective October 15, 2022 | Copyright 2022 Oregon, Oregon Tool Inc. Pricing, product offerings and specifications are subject to change without notice. All rights reserved. WallWalker, SpeedHook, SealPRO, FORCE4, FORCE3 and PowerGrit are registered trademarks of Oregon. The best way to cut concrete, DCT, TSS, and ProFORCE are trademarks of Oregon. Rev: 112021