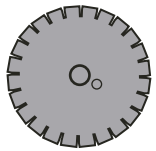


MERIT

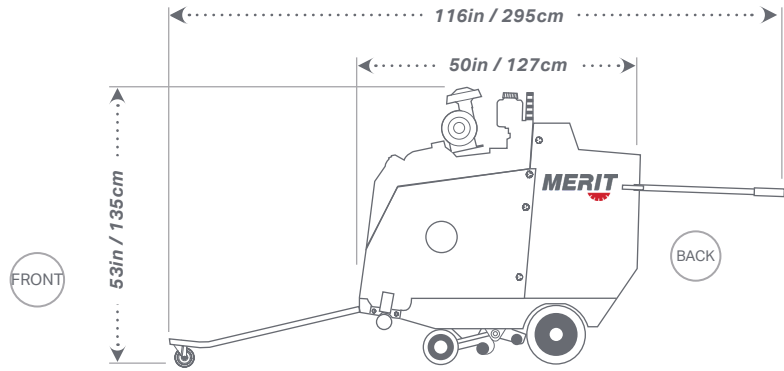
AN OREGON BRAND

M600SS-61G - GAS POWER

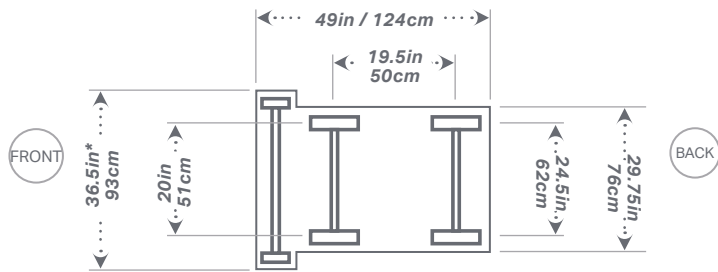


14in - 42in
35cm - 107cm

18.5in/47cm Max Cut



LEFT SIDE VIEW



BOTTOM VIEW

*35.875in / 91cm Standard
34.625in / 88cm QD w/components
32.375in / 82.25cm QD (Flush) w/components



SPECIFICATIONS	Raise & Lower Control	Button or standard
	Air Filter	2 stage
	Blade Mounting	Left and right
	Blade Shaft Drive	1in / 2.5cm or with 5in/ 13cm arbors
	Approx. Weight	1500 lbs. / 680kg.
	Drive Speed	0-240 FPM
	Depth Control	Mechanical
	Arbor Size	1in / 2.5cm
	Engine Manufacturer	Kubota
Fuel Capacity	6.5 gallons / 24.5L	

BLADE GUARD IN	BLADE GUARD CM
14 x 2	35.5 x 5
18 x 2	46 x 5
20 x 2	50 x 5
24 x 2	61 x 5
26 x 2	66 x 5
30 x 3	76 x 7
32 x 3	81 x 7
36 x 3	91 x 7
42 x 3	107 x 7

600SS SERIES - 61HP - GAS - FRONT PIVOT - 4 SPEED

M600SS-61G-F4-1110	M600SS, 61HP, GAS, FRONT PIVOT, 4 SPEED, STANDARD CONTROL, STANDARD BLADE MOUNT, LIGHT KIT
M600SS-61G-F4-1210	M600SS, 61HP, GAS, FRONT PIVOT, 4 SPEED, BUTTON CONTROL, STANDARD BLADE MOUNT, LIGHT KIT
M600SS-61G-F4-2110	M600SS, 61HP, GAS, FRONT PIVOT, 4 SPEED, STANDARD CONTROL, QUICK DISCONNECT BLADE MOUNT, LIGHT KIT
M600SS-61G-F4-2210	M600SS, 61HP, GAS, FRONT PIVOT, 4 SPEED, BUTTON CONTROL, QUICK DISCONNECT BLADE MOUNT, LIGHT KIT

600SS SERIES - 61HP - GAS - REAR PIVOT - 4 SPEED

M600SS-61G-R4-1110	M600SS, 61HP, GAS, REAR PIVOT, 4 SPEED, STANDARD CONTROL, STANDARD BLADE MOUNT, LIGHT KIT
M600SS-61G-R4-1210	M600SS, 61HP, GAS, REAR PIVOT, 4 SPEED, BUTTON CONTROL, STANDARD BLADE MOUNT, LIGHT KIT
M600SS-61G-R4-2110	M600SS, 61HP, GAS, REAR PIVOT, 4 SPEED, STANDARD CONTROL, QUICK DISCONNECT BLADE MOUNT, LIGHT KIT
M600SS-61G-R4-2210	M600SS, 61HP, GAS, REAR PIVOT, 4 SPEED, BUTTON CONTROL, QUICK DISCONNECT BLADE MOUNT, LIGHT KIT

OREGONCONSTRUCTION.COM | 800.321.1240